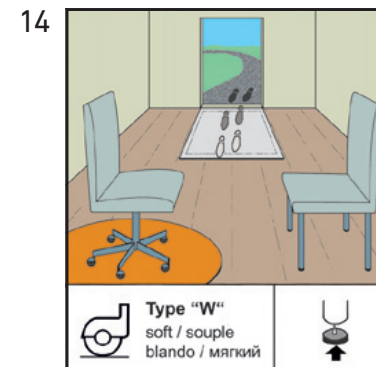
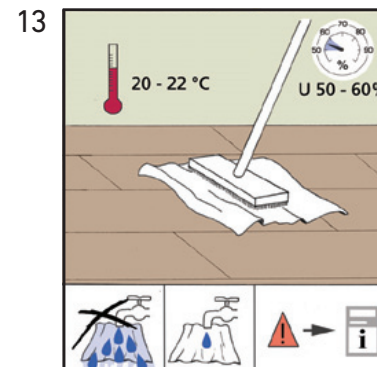
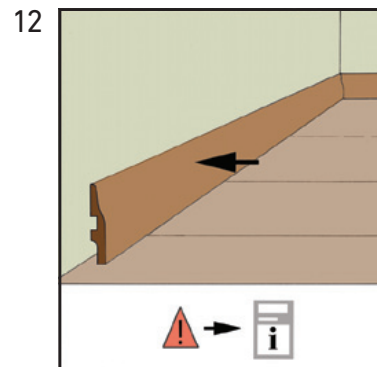
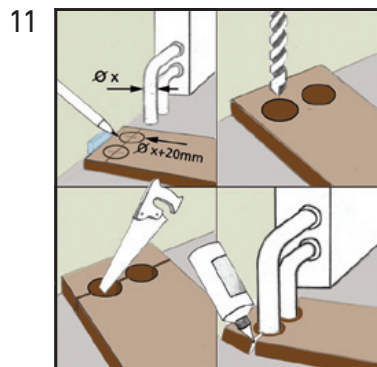
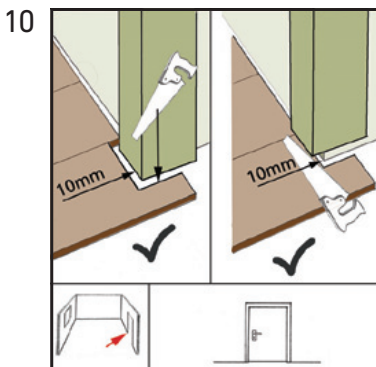
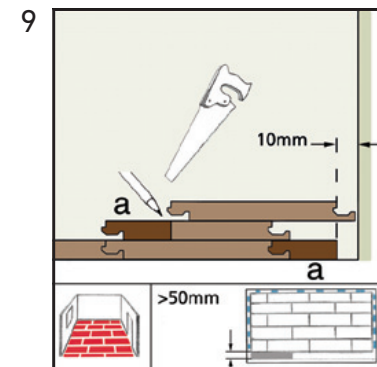
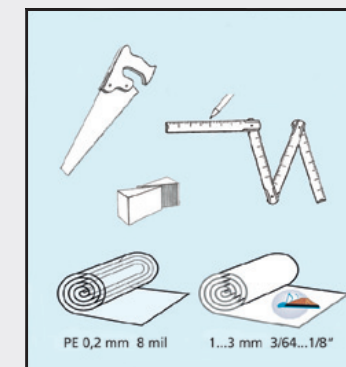
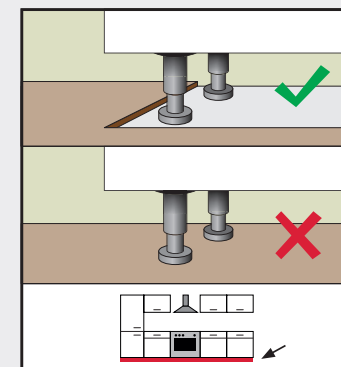
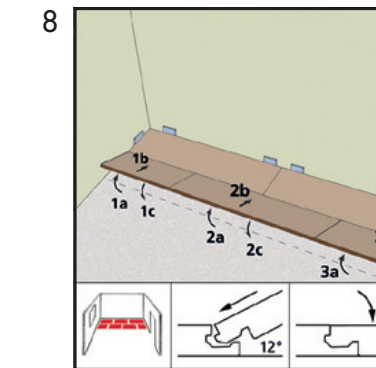
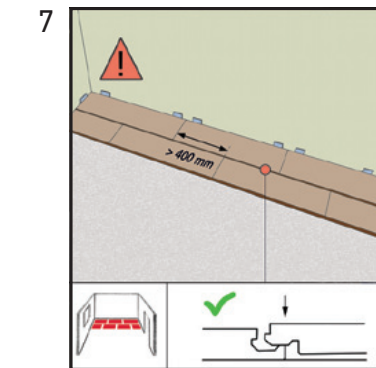
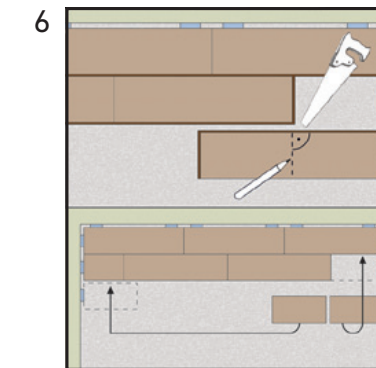
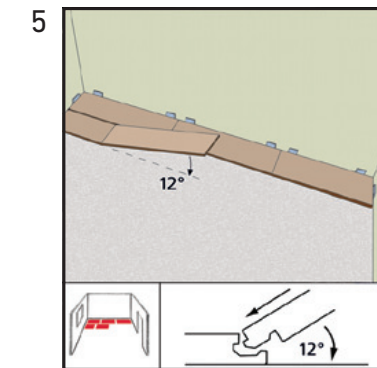
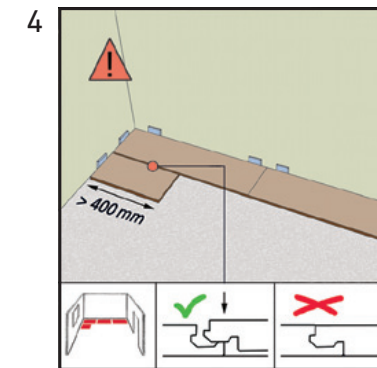
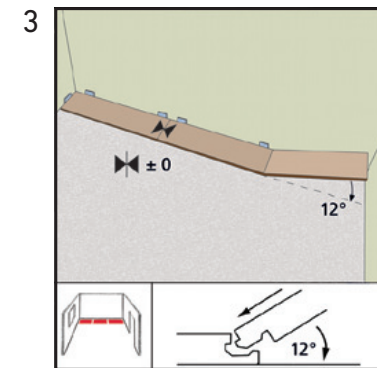
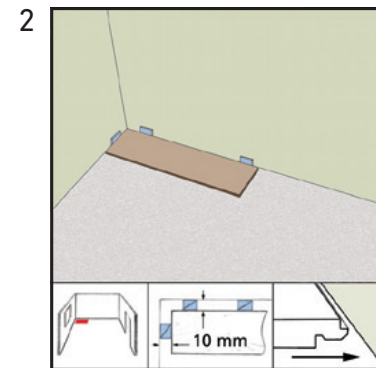
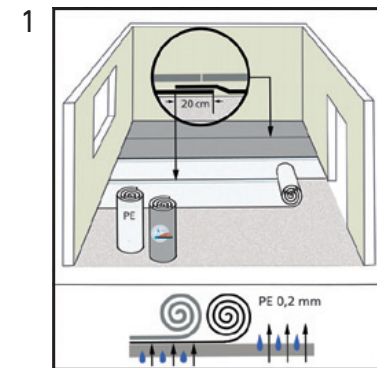
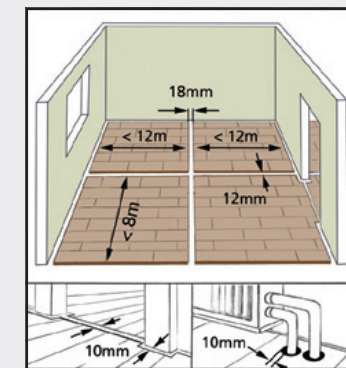
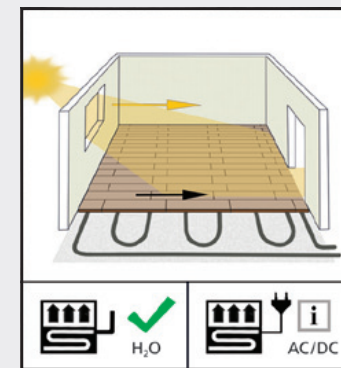
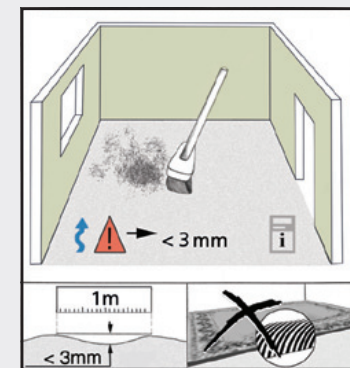


SUPERIOR



<math>< 3\text{mm}</math>

H₂O AC/DC

10mm 10mm

PE 0,2 mm

10 mm

± 0 12°

$> 400\text{mm}$ 12°

12°

$> 400\text{mm}$

12°

1a 1b 1c 2a 2b 2c 3a 3b

1m

PE 0,2 mm 8 mil 1...3 mm 3/64...1/8"

10mm

10mm

$\varnothing x$ $\varnothing x+20\text{mm}$

$20 - 22^\circ\text{C}$ U 50 - 60%

$> 50\text{mm}$

Type "W" soft / souple blando / мяккий

10mm

12°

10mm